



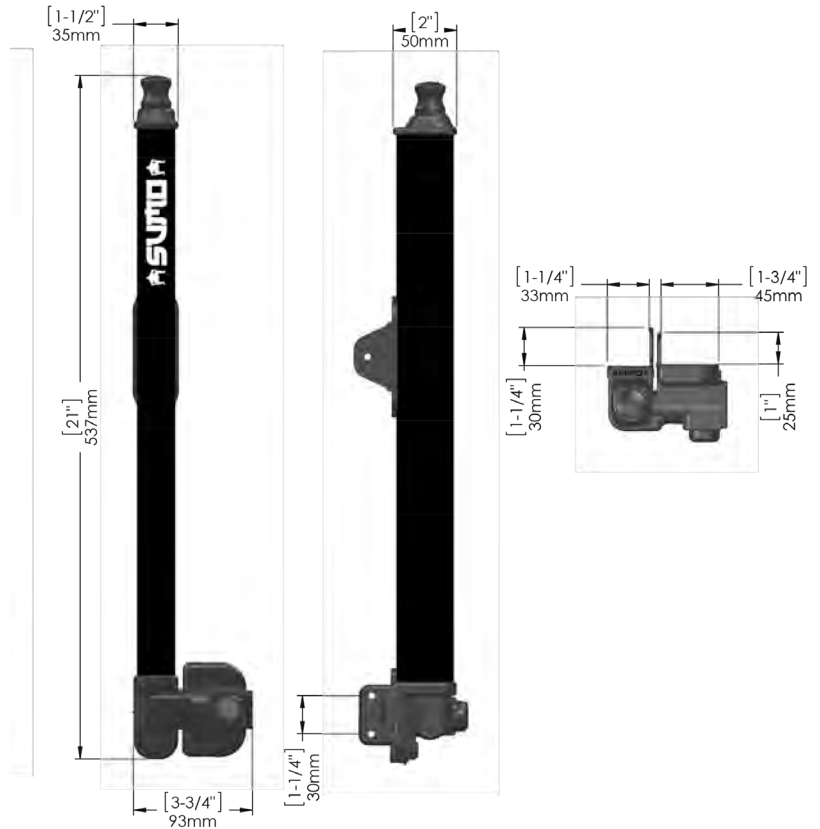
FEATURES

- Magnetic, self-latching gate safety system
- Top-pull design, made for pool gates
- Complies with pool safety standards
- Fast & simple installation
- Resistant to extreme weather

DIMENSIONS & SPECIFICATIONS

Dimensions	3.8 x 2 x 21 in.
Weight	1.4 lbs
Materials	Non-rusting polymers, aluminum, stainless steel
Adjustment	Vertical and Horizontal
Keys	2, provided
Gate Material	Metal, Vinyl, Wood
Frame/Post Shape	Square
Min. Post Size	1" + (25mm+)
Ideal Gate Gap	3/4" (19mm)
Mounting Method	Surface Mount, screw-on
Warranty	Limited Lifetime Warranty
Finish/Color	Black
Order Number	PGL-50

For pool gates, check with your local authorities to see what is required in your area's building code or in other regulations.



ORDER #: PGL-50



SUMOTM



GATE HARDWARE

by **LOCKEY**
USA

PGL-50 MAGNETIC POOL GATE LATCH