



**FEATURES**

- Remote Capable (1 remote included, up to 5 capable)
- Electronic lever lock
- Adjustable latch backset
- Battery powered (4 AA Alkaline)
- Up to six unique user codes
- Disposable (one-time use) code capable
- Auto-locking function
- LED illumination
- Key override
- Visual and audible confirmations

**OPTIONS**

- Antique Brass
- Bright Brass
- Satin Nickel
- Antique/Oil Rubbed Bronze



Remote Control

**DIMENSIONS & SPECIFICATIONS**

**Exterior Dimensions:**

- Length: 5 1/8"
- Width: 3 1/8"
- Depth: 2 5/8"

**Interior Dimensions:**

- Length: 7 1/2"
- Width: 2 7/8"
- Depth: 3 3/8"

**Door Thickness:** 1 3/8" to 1 3/4"

**Material:** Stainless steel

**Latch:** Adjustable

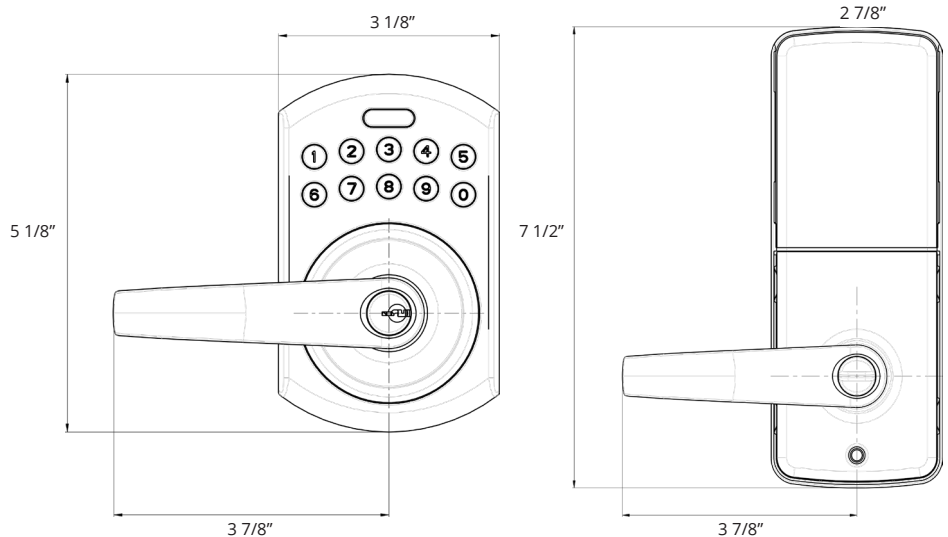
**Cylinder:** 5 pin Schlage keyway

**Power:** 4 AA Alkaline batteries

**Keys Included:** 2

**Weather Resistant Exterior Lock Body**

**Inside Lock Body for Interior Use Only**



**ORDERING INFORMATION**

**Finish**

- Antique Brass
- Bright Brass
- Satin Nickel
- Antique/Oil Rubbed Bronze

**Order #**

- E995AB
- E995BB
- E995SN
- E995OIL

