

FEATURES

- Mechanical cam lock
- 4 Wheel Combination Lock
- 10,000 possible combinations
- Can be flush fitted or surface mounted
- Emergency Key Override (7 Disc Barrel)
- Code Finding Feature (7 Disc Barrel)
- Code Change Function
- Code Finding Feature
 - 7 Disc Barrel
 - Allows emergency access if code is lost
- Secured with 2 x M4 Pan Head Screws

OPTIONS

- Finishes:**
- Black (B)
 - Silver (S)
 - White (W)
 - Custom*

- Keypad Direction:**
- Vertical (V)
 - Right Handed Horizontal (R)
 - Left Handed Horizontal (L)*



DIMENSIONS & SPECIFICATIONS

Dimensions:

- Body Length: 94mm (3.7")
- Head Depth: 32mm (1 1/4")

Material: Zinc Alloy and ABS Construction

Finish: Powder coated

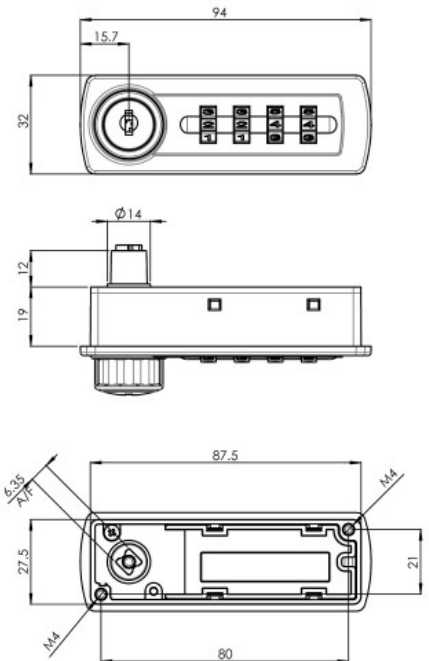
Keys Included: 2
For Internal Use



Flush Fit Clamp Box



Surface Mount Sleeve



ORDERING INFORMATION

Finish	Vertical	Right
Black	GM270VB	GM270RB
Silver	GM270VS	GM270RS
White	GM270VW	GM270RW



*Contact LockeyUSA for minimum order quantities and lead times for custom orders.