



## FEATURES

- RFID: Can be paired with existing MIFARE/NFC 13.56MHz systems or used separately
- Flush fit
- Public or private user modes
- Key override
- Up to 80,000 cycles per pair of AA batteries
- Batteries included
- Battery condition indicator
- Audible actuation

## PROGRAMMING OPTIONS

Change master card, add user card, delete all user cards, delete single user card (with & without user card), set private mode & public mode, set audio, auto unlock, set read speed mode.

## ORDERING OPTIONS

Finishes: Silver (S), Black (B), Custom\*

## DIMENSIONS & SPECIFICATIONS

### External Dimensions:

- Length: 143.5mm (5.65")
- Width: 41mm (1.61")
- Depth: 13.5mm (.53")

### Internal Dimensions:

- Length: 141.6mm (5.57")
- Width: 42.6mm (1.68")
- Depth: 37.5mm (1.48")

**Mounting Hole Shape:** 3 point mounting

**Spindle Length:** 20mm standard, 24mm by special order\*

**Power:** 2 x AA Battery (Alkaline)

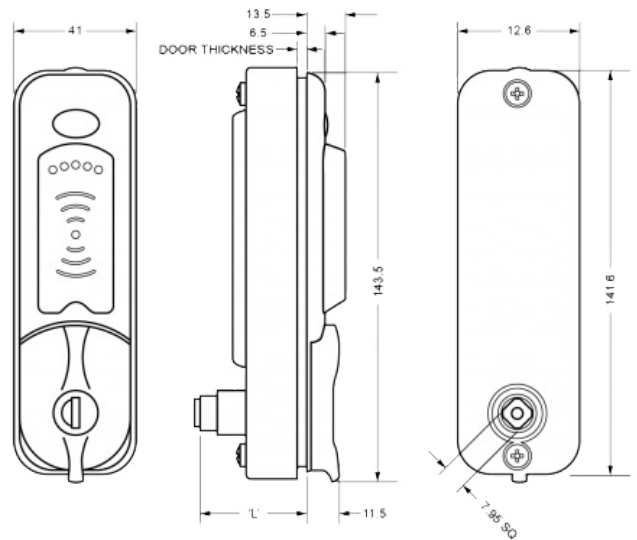
**Low Battery:** LED indicator lights with battery condition indicator

**Material:** Zinc diecast

**Finish:** Powder coated

**Keys Included:** 2

**For Internal Use**



## ORDERING INFORMATION

Order # for EC785 shown above is EC785S

Order #	Finish
EC785	(B) Black
	(S) Silver
	Custom*

\*Contact LockeyUSA for minimum order quantities and lead times for custom orders.