



FEATURES

- Mechanical, keyless deadbolt lock
- One user code
- Oversized knob on exterior and interior
- Reversible handing
- Adjustable backset deadbolt
- Covers standard 2 1/8" hole
- Marine Grade Finish

OPTIONS

Single Combination, Double Combination



Single Combination

Double Combination

DIMENSIONS & SPECIFICATIONS

Dimensions:

- Length: 6 1/4"
- Width: 1 3/4"
- Depth: 2"

Total Coverage with Trim Plates: 6 3/4" L x 2 1/4" W x 2 1/8" D

Door Thickness: 1 1/8" to 2", up to 5" with Extension Kit

Material: Zinc-plated steel

Teflon coated stainless steel interior components

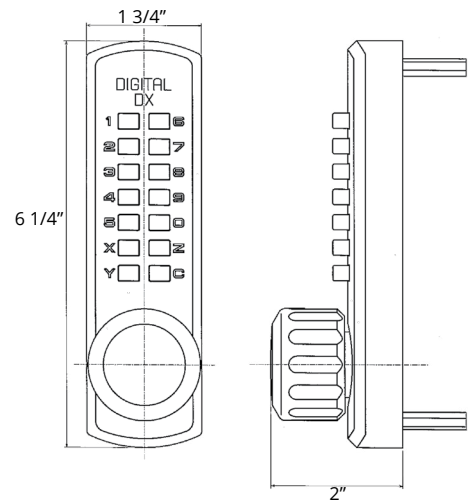
Teflon coated with Marine Grade Finish

For Exterior & Interior Use

Weather Resistant

Lifetime Mechanical Warranty

The 3210 is only available in Marine Grade finish. The finish closely resembles the color of a Satin Chrome (26D) finish lock. We recommend the Marine Grade Finish for saltwater environments where the lock will sustain consistent exposure to the elements. It has a much longer lifetime than a standard finish and provides added strength against the corrosive elements of coastal/saltwater environments.



ORDERING INFORMATION

Finish	Single Combination	Double Combination
Marine Grade	3210	3210DC

